

Short Bow Socket SBS

Product information



The "ultimate" socket for dynamic loads. Towing lines, anchor lines and chain-rope connections used by major offshore contractors. Quenched and tempered cast steel with extremely high mechanical values for unmatched weight to MBL ratio. All spelter sockets have a 100% efficiency on wire rope MBL.

The standard finish of our sockets is blue but hot dipped galvanized is also available.

Standard: EN 10204-2.1 declaration of conformity / EN 10204-3.1 material certificate.

[... Read more](#)

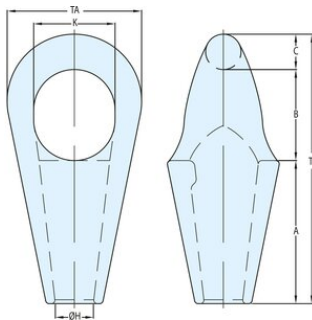
Material: Quenched and tempered cast steel.

Marking: According to standard

Standard: EN 10204

Short Bow Socket SBS

Blueprint



Technical data

Part code	Rope Ø range mm	MBL ton	Finish	Model	Rope Ø inch	A mm	B mm	C mm	øH mm	K mm	TA mm	TLmm mm	Weight kg
122103600205	31-36	140	Painted	SBS 512	11/4 - 13/8	141	83	38	39	75	132	262	7
122104200205	37-42	160	Painted	SBS 517	11/2 - 15/8	162	103	40	44	92	152	305	10
122104800205	43-48	200	Painted	SBS 519	13/4 - 17/8	188	120	48	51	112	178	356	16
122105400205	49-54	250	Painted	SBS 522	2 - 21/8	204	132	54	59	120	200	390	21
122106000205	55-60	320	Painted	SBS 524	21/4 - 23/8	230	148	62	64	135	220	440	28
122106800205	61-68	400	Painted	SBS 526	21/2 - 25/8	265	165	68	73	150	250	198	44
122107500205	69-75	500	Painted	SBS 527	23/4 - 27/8	287	178	75	79	164	274	540	53
122108000205	76-80	600	Painted	SBS 528	3 - 35/8	314	195	76	89	175	295	585	70
122108600205	81-86	700	Painted	SBS 529	31/4 - 33/8	327	216	82	92	194	320	625	81
122109300205	87-93	800	Painted	SBS 530	31/2 - 35/8	358	220	92	99	202	350	670	112
122110200205	94-102	900	Painted	SBS 531	33/4 - 4	365	235	100	108	215	375	700	130
122111500205	108-115	1,000	Painted	SBS 533	41/4 - 41/2	420	270	110	120	240	410	800	182