

High lift pallet truck

Product information

Pallet jack that lifts up to 800 mm to be used in industry, delivery firms etc. Equipped with PU wheels and 210° turning angle.

... [Read more](#)



Features: Wheels: PU

Material: Steel

Marking: CE-marked

Finish: Painted

High lift pallet truck

Technical data

Part code	WLL ton	Width of forks mm	Length of forks mm	Minimum height of fork mm	Max. lifting height mm	Weight kg
9001HAVA1SAKSI	1	550	1,150	0.8	800	110

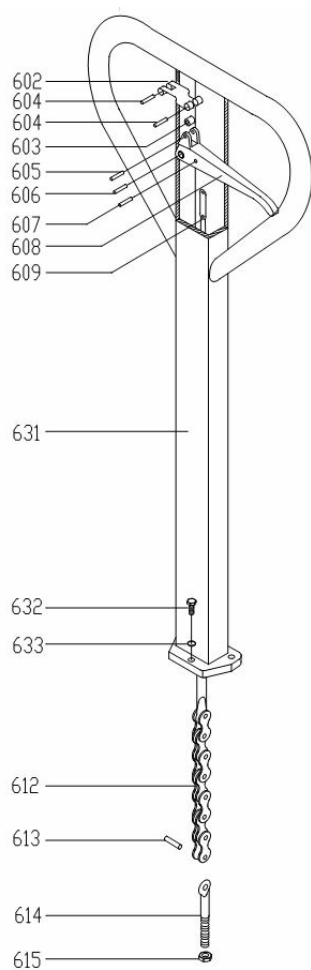
SPARE PARTS

Spare part (product code)	Description	Suitable for pallet truck (product code)
HAVA1SAKISO	Steering (big) wheel, incl. bearings Part no. 8 + 9	HAVA1SAKSI
HAVA1SAKEPYO	Front (loading) wheel, incl. bearings Part no. 14 + 13	HAVA1SAKSI
HAVA1SAKTI	Gasket set	HAVA1SAKSI
HAVA1SAKJOU10	Piston spring Part no. 10	HAVA1SAKSI
HAVA1SAKOHJAUSR	Guide wheel for scissor mechanism, 1 pc Part no. 16	HAVA1SAKSI

Also other spare parts available with a delivery time, ask our sales for more information

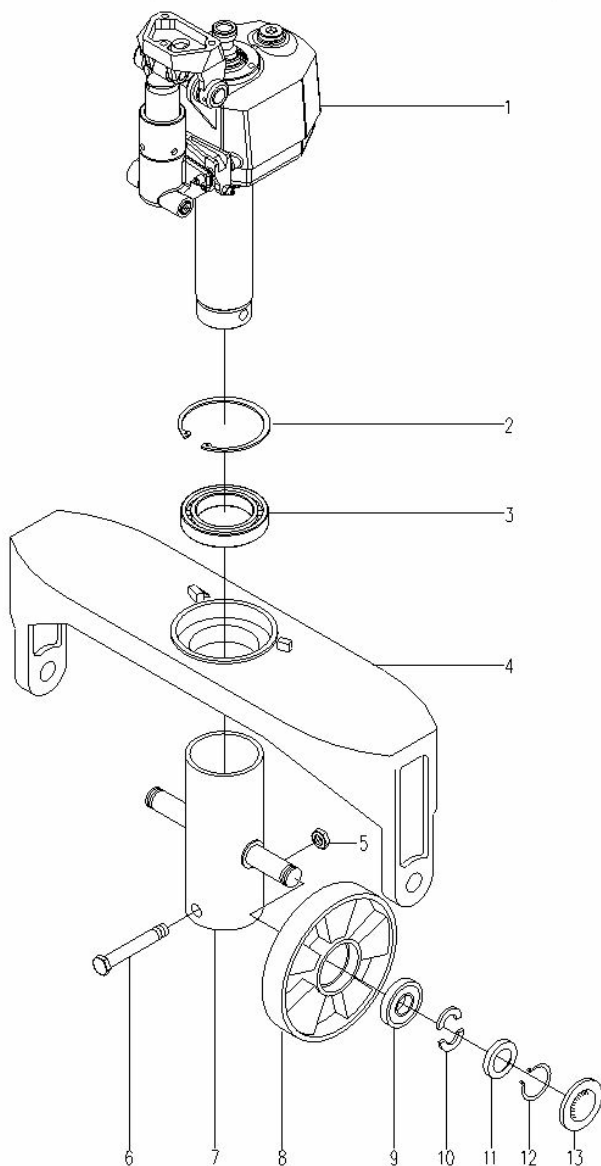
HANDLE-ASSY

High lift pallet truck



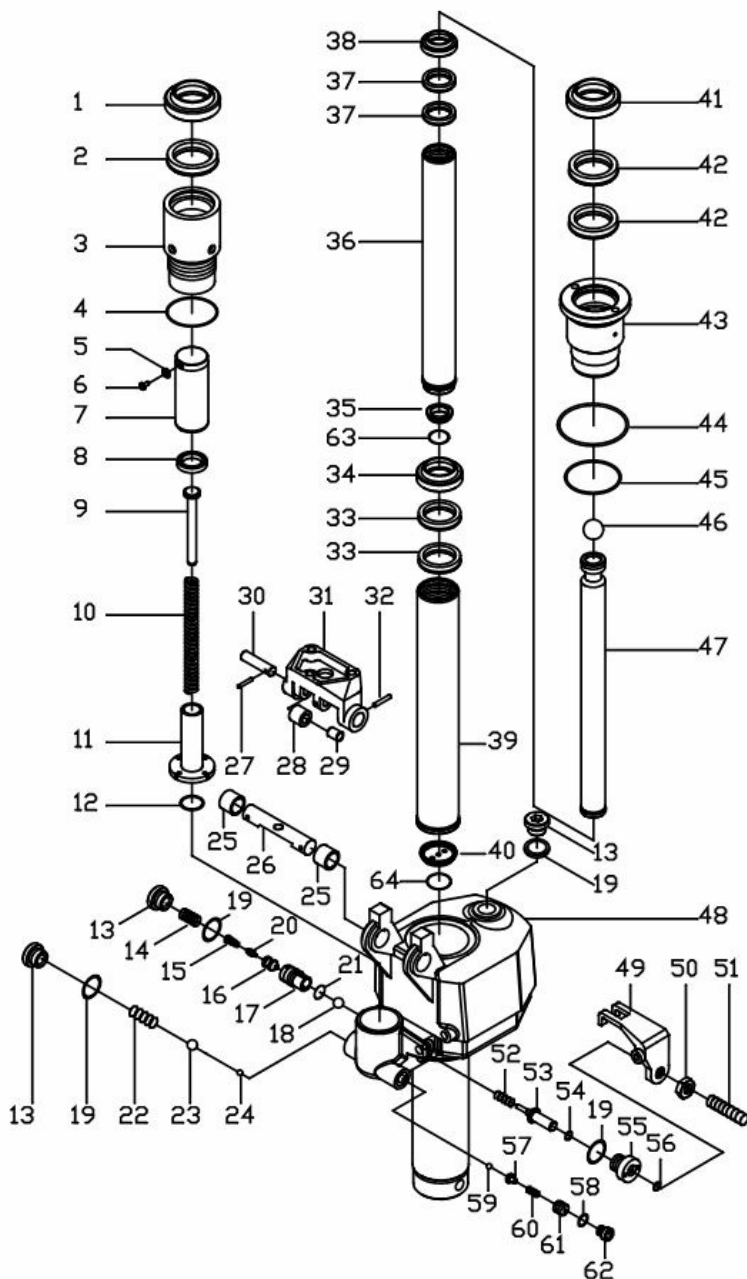
STEERING-PUMP UNIT

High lift pallet truck



HYDRAULIC PUMP UNIT

High lift pallet truck



FRAME

High lift pallet truck

